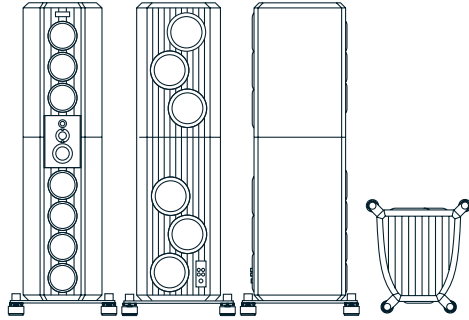


TECHNICAL SPECIFICATIONS



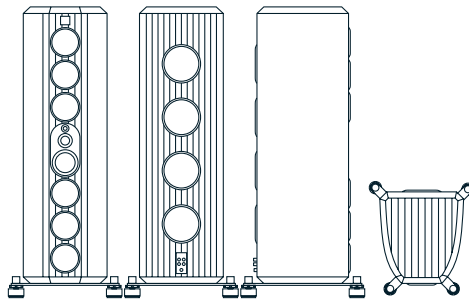
COLTRANE

Coltrane Supreme 2



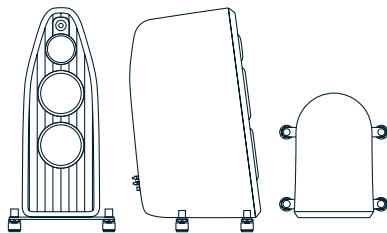
Frequency range	18-100000 Hz +-2dB
Power rating	500 W
Sensitivity	91 dB / 1 m / 2.83V
Impedance	6 ohm (3.2 Ohm min)
Type	5-way
Drive units	6 x 10" passive sandwich, 7 x 8" alu sandwich, 1 x 5" ceramic, 1 x 2" diamond, 1 x 0.75" diamond
Crossover frequency	First order: 120, 450, 3500 & 8000 Hz
Terminals	WBT Nextgen Bi-wire
Internal wiring	Jorma Statement
Cabinet	25mm:s carbon fibre laminate sides, 70mm solid laminated wood front, back, top and bottom: Matte Walnut, Matte Cherry, Matte Maple and Matte Oak
Stands	Mirror polished stainless steel with Marten Isolators
Dimensions WxHxD	54 x 200 x 59cm (21.2 x 78.8 x 23.2")
Net weight	270 Kg (600 lbs)

Coltrane Momento 2



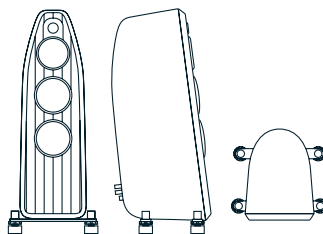
Frequency range	20-100000 Hz +-2dB
Power rating	450 W
Sensitivity	90 dB / 1 m / 2.83V
Impedance	6 ohm (3.7 Ohm min)
Type	4-way passive radiators
Drive units	4 x 10" passive alu sandwich, 6 x 8" alu sandwich, 1 x 7" ceramic, 1 x 2" diamond, 1 x 0.75" diamond
Crossover frequency	First order: 350, 3500 & 8000 Hz
Terminals	WBT Nextgen Bi-wire
Internal wiring	Jorma (optional Statement)
Cabinet	25mm:s carbon fibre laminate sides, 70mm solid laminated wood front, back, top and bottom: Matte Walnut, Matte Cherry, Matte Maple and Matte Oak
Stands	Mirror polished stainless steel with Marten Isolators
Dimensions WxHxD	54 x 182 x 59 cm (21.3" x 71.7" x 23.2")
Net weight	210 Kg (467 lbs)

Coltrane 3



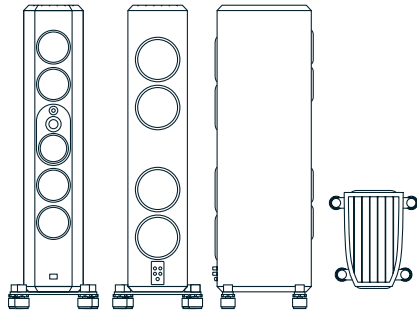
Frequency range	20-60000 Hz +-2dB
Power rating	350 W
Sensitivity	88 dB / 1 m / 2.83V
Impedance	6 ohm (3.7 Ohm min)
Type	3-way bass reflex
Drive units	2 x 10" aluminium sandwich , 1 x 7" ceramic, 1 x 1" diamond
Crossover frequency	First order: 320 & 3800 Hz
Terminals	WBT Nextgen Bi-wire
Internal wiring	Jorma (optional Statement)
Cabinet	25 mm:s carbon fibre laminate cabinet, 68 mm laminated wood/aluminium front: Warm Grey, Dark Grey, Dark Gold, Silver, Matte Oak, Matte Walnut and Piano Black
Stands	Mirror polished stainless steel with Marten Isolators
Dimensions WxHxD	39.5 cm x122 cm x 64 cm (15.5" x 48.0" x 25.2")
Net weight	87 Kg (184 lbs)

Coltrane Tenor 2



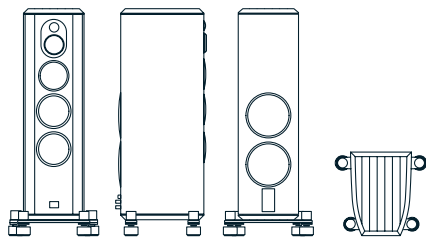
Frequency range	24-80000 Hz +-2dB
Power rating	300 W
Sensitivity	86 dB / 1 m / 2.83V
Impedance	6 ohm (3.5 Ohm min)
Type	3-way bass reflex
Drive units	2 x 8" aluminium sandwich, 1 x 7" ceramic, 1 x 0.75" diamond
Crossover frequency	First order, 360 & 4000Hz
Terminals	WBT Nextgen Bi-wire
Internal wiring	Jorma (optional Statement)
Cabinet	20 mm:s carbon fibre laminate cabinet, 68 mm laminated wood/aluminium front: Warm Grey, Dark Grey, Dark Gold, Silver, Matte Oak, Matte Walnut and Piano Black
Stands	Mirror polished stainless steel with Marten Isolators
Dimensions WxHxD	31 x 114 x 40 cm (12.2 x 44.9 x 15.7")
Net weight	57 Kg (127 lbs)

Mingus Orchestra



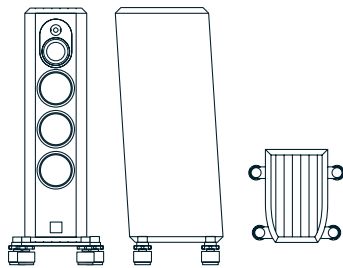
Frequency range	22-100000 Hz +-2dB
Power rating	450 W
Sensitivity	89 dB / 1 m / 2.83V
Impedance	6 ohm (3.1 Ohm min)
Type	4-way
Drive units	4 x 10" passive alu sandwich, 4 x 8" alu sandwich, 1 x 7" pure ceramic, 1 x 2" pure diamond, 1 x 0.75" pure diamond
Crossover frequency	First order: 350, 3800 & 8000 Hz
Terminals	WBT Nextgen Bi-wire
Internal wiring	Jorma (optional Statement)
Cabinet	25-42 mm fibre laminate Piano Black, with solid Zebrano wood top and bottom
Stands	Mirror polished stainless steel with Marten Isolators
Dimensions WxHxD	29 x 171 x 42 cm (11.4 x 67.3 x 16.5")
Net weight	130 Kg (288 lbs)

Mingus Septet



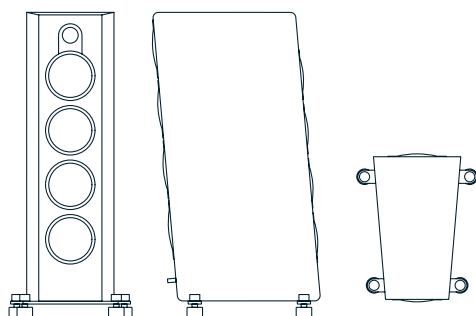
Frequency range	23-40000 Hz +-2dB
Power rating	300 W
Sensitivity	89 dB / 2.83 V
Impedance	6 ohms (2.7 Ohms min)
Type	4-way
Drive units	1" pure diamond, 3" pure beryllium, 7" pure ceramic, 2 x 8" aluminium sandwich, 2 x 10" passive aluminium sandwich
Crossover frequency	First order: 200, 800, 6000 Hz
Terminals	WBT Nextgen Bi-wire
Internal wiring	Jorma (optional Statement)
Cabinet	25-40 mm fibreboard laminate cabinet in Piano Black
Stands	Mirror polished stainless steel with Marten Isolators
Dimensions WxHxD	33.5 x 126 x 46 cm (13.2" x 49.6" x 18.1")
Net weight	95 kg (211 lbs)

Mingus Quintet 2



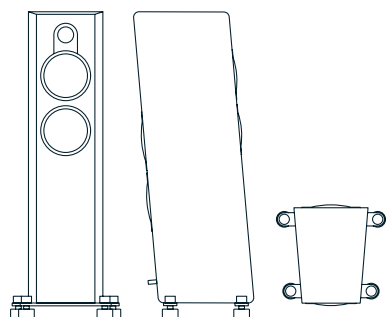
Frequency range	24-100000 Hz +-2dB
Power rating	300 W
Sensitivity	88 dB / 1 m / 2.83V
Impedance	6 ohm (3.4 Ohm min)
Type	3-way bass reflex
Drive units	3 x 7" aluminium sandwich , 1 x 5" ceramic, 1 x 0.75" diamond
Crossover frequency	First order: 370 & 4000 Hz
Terminals	WBT Nextgen Single-wire
Internal wiring	Jorma
Cabinet	25-40 mm:s fibre laminate cabinet
Stands	Mirror polished stainless steel with Marten Isolators
Dimensions WxHxD	28 x 109 x 38 cm (11" x 42.9" x 15")
Net weight	63 kg (140 lbs)

Parker Quintet



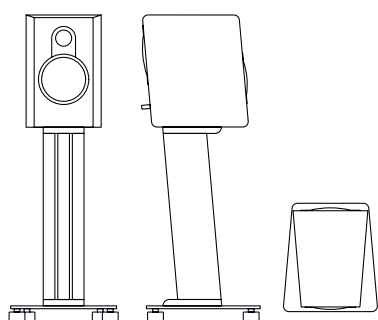
Frequency range	24-40000 Hz +-2dB
Power rating	350 W
Sensitivity	93 dB/2.83 V
Impedance	4 ohms (2.7 Ohms min)
Type	2.5-way
Drive units	1" pure ceramic tweeter (upgradable to Diamond) 4 x 7.5" ceramic bass/midrange 4 x 9" Aluminium passive radiator
Crossover frequency	Multi diverse order, 2200 Hz
Terminals	WBT Nextgen Single-wire
Internal wiring	Jorma (Statement with Diamond edition)
Cabinet	35 mm M-board Piano Walnut, Matte Walnut, Piano Black and Piano White
Stands	Mirror polished stainless steel with Marten Isolators
Dimensions WxHxD	24 - 33 x 117 x 54 cm (9.4" - 13" x 46" x 21.3")
Net weight	60 kg (133 lbs)

Parker Trio



Frequency range	26-40000 Hz +-2dB
Power rating	300 W
Sensitivity	91 dB/2.83 V
Impedance	6 ohms (3.1 Ohms min)
Type	2.5-way
Drive units	1" pure ceramic tweeter (upgradable to Diamond) 2 x 7.5" ceramic bass/midrange 2 x 9" Aluminium passive radiator
Crossover frequency	Multi diverse order, 2200 Hz
Terminals	WBT Nextgen Single-wire
Internal wiring	Jorma (Statement with Diamond edition)
Cabinet	35 mm M-board Piano Walnut, Matte Walnut, Piano Black and Piano White
Stands and feet	Mirror polished stainless steel with Marten Isolators
Dimensions WxHxD	22 - 28 x 117 x 36 cm (8.7" - 11" x 46" x 14.2")
Net weight	40 kg (89 lbs)

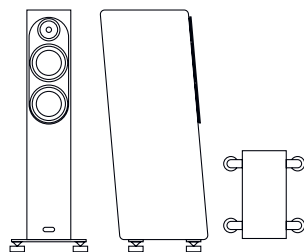
Parker Duo



Frequency range	36-40000 Hz +-2dB
Power rating	200 W
Sensitivity	88 dB/2.83 V
Impedance	6 ohms (3.1 Ohms min)
Type	2-way
Drive units	1" pure ceramic tweeter (upgradable to Diamond) 7.5" ceramic bass/midrange 9" Aluminium passive radiator
Crossover frequency	Multi diverse order, 2200 Hz
Terminals	WBT Nextgen Single-wire
Internal wiring	Jorma (Statement with Diamond edition)
Cabinet	35 mm M-board Piano Walnut, Matte Walnut, Piano Black and Piano White
Dimensions WxHxD	22 - 28 x 42 x 36 cm (8.7" - 11" x 16.5" x 14.2")
Net weight	18 kg (40 lbs)
Stands and feet (optional)	Matte Black with mirror polished Marten Isolators
	35 - 28 x 75 x 40 cm (13.8" - 11" x 29.5" x 15.7")
	21 kg (46 lbs)

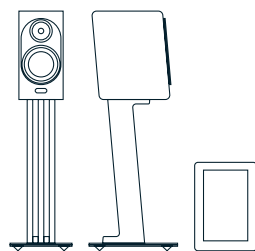
OSCAR

Oscar Trio



Frequency range	27-20000 Hz +-3dB
Power rating	250 W
Sensitivity	89 dB / 1 m / 2.83V
Impedance	6 ohm (3.1 Ohm min)
Type	2-way
Drive units	2 x 7" ceramic, 1 x 1" ceramic
Crossover frequency	Second order 2500 Hz
Terminals	WBT Nextgen Single-wire
Internal wiring	Jorma
Cabinet	25 mm fibre laminate Matte Walnut, Piano Black or Piano White
Stands	Brushed Aluminium with Marten Pucks and Cones
Dimensions WxHxD	20 x 109 x 40 cm (11.4 x 42.9 x 15.7")
Net weight	30 Kg (67 lbs)

Oscar Duo



Frequency range	37-20000 Hz +-3dB
Power rating	150 W
Sensitivity	86 dB / 1 m / 2.83V
Impedance	6 ohm (3.1 Ohm min)
Type	2-way
Drive units	1 x 7" ceramic, 1 x 1" cermaic
Crossover frequency	Second order 2500 Hz
Terminals	WBT Nextgen Single-wire
Internal wiring	Jorma
Cabinet	25 mm fibre laminate Matte Walnut, Piano Black or Piano White
Dimensions WxHxD	20 x 40 x 32 cm (7.9 x 15.7 x 12.6")
Net weight	13 Kg (29 lbs)

Our speakers are proudly designed and crafted in Sweden using custom technology and fine materials.

For more information visit marten.se

Marten
 Flöjelbergsgatan 18
 431 37 Mölndal
 Sweden

Tel +46 31 20 72 00
info@marten.se
facebook.com/martenspeakers
youtube.com/martenspeakers
instagram.com/martenspeakers